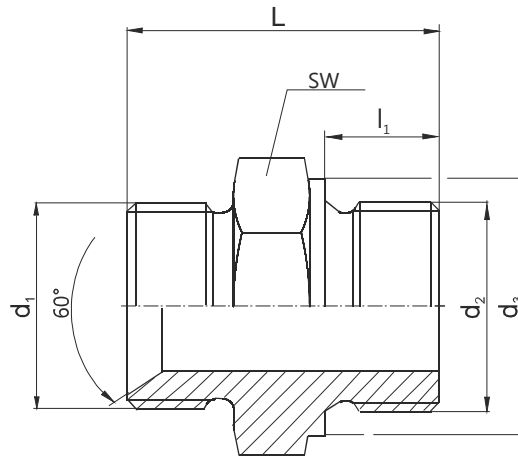


RV DN AGR EZA



AGR
Rohrgewinde
DIN ISO 228/1

EZA
Einschraubzapfen BSP
Form A nach DIN 3852/2

Werkstoff: Automatenstahl
Oberflächenschutz: DIN 50979 - Fe/Zn 8/Cu/T2

DN	AGR	EZA			L mm	SW	PN bar	Bezeichnung	
	d ₁	d ₂	d ₃ mm	l ₁ mm					
5	G 1/8	G 1/8	14	8	21,5	14	250	RV 5	AGR EZA
6:5	G 1/4	G 1/8	14	8	25,5	17		RV 6:5	AGR EZA
6:8	G 1/4	G 1/4	18	12	30,0	19		RV 6:8	AGR EZA
6:10	G 1/4	G 3/8	22	12	31,5	22		RV 6:10	AGR EZA
8	G 3/8	G 1/4	18	12	32,0	19		RV 8	AGR EZA
8:10	G 3/8	G 3/8	22	12	32,5	22		RV 8:10	AGR EZA
8:16	G 3/8	G 1/2	26	14	35,0	27		RV 8:16	AGR EZA
8:19	G 3/8	G 3/4	32	16	38,0	32		RV 8:19	AGR EZA
16	G 3/4	G 1/2	26	14	39,0	27		RV 16	AGR EZA
16:19	G 3/4	G 3/4	32	16	42,0	32	160	RV 16:19	AGR EZA
16:25	G 3/4	G 1	39	18	45,0	41		RV 16:25	AGR EZA
19	G 1	G 3/4	32	16	46,0	36	100	RV 19	AGR EZA
19:25	G 1	G 1	39	18	48,0	41		RV 19:25	AGR EZA
19:31	G 1	G 1 1/4	49	20	51,0	50		RV 19:31	AGR EZA
25:31	G 1 1/4	G 1 1/4	49	20	52,0	50	70	RV 25:31	AGR EZA
25:38	G 1 1/4	G 1 1/2	55	22	56,0	55		RV 25:38	AGR EZA
31:38	G 1 1/2	G 1 1/2	55	22	58,0	55		RV 31:38	AGR EZA